

EMERGENCY EYE WASH

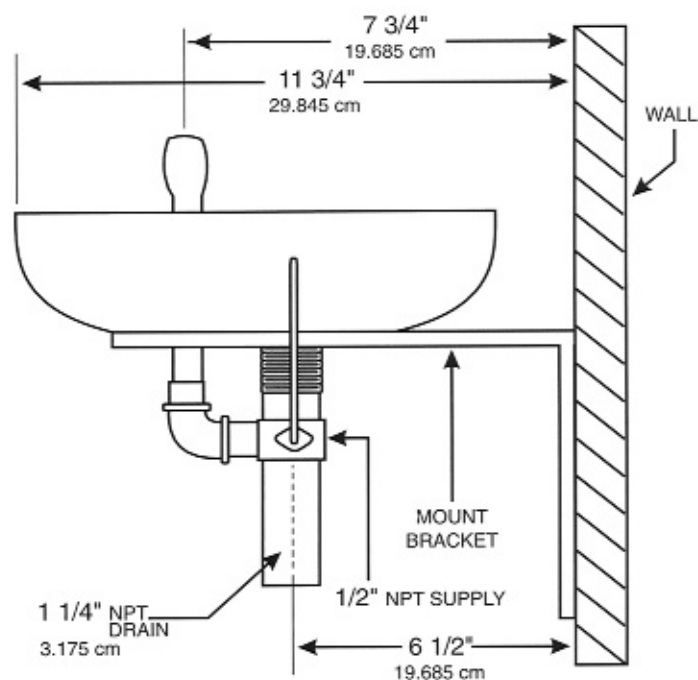
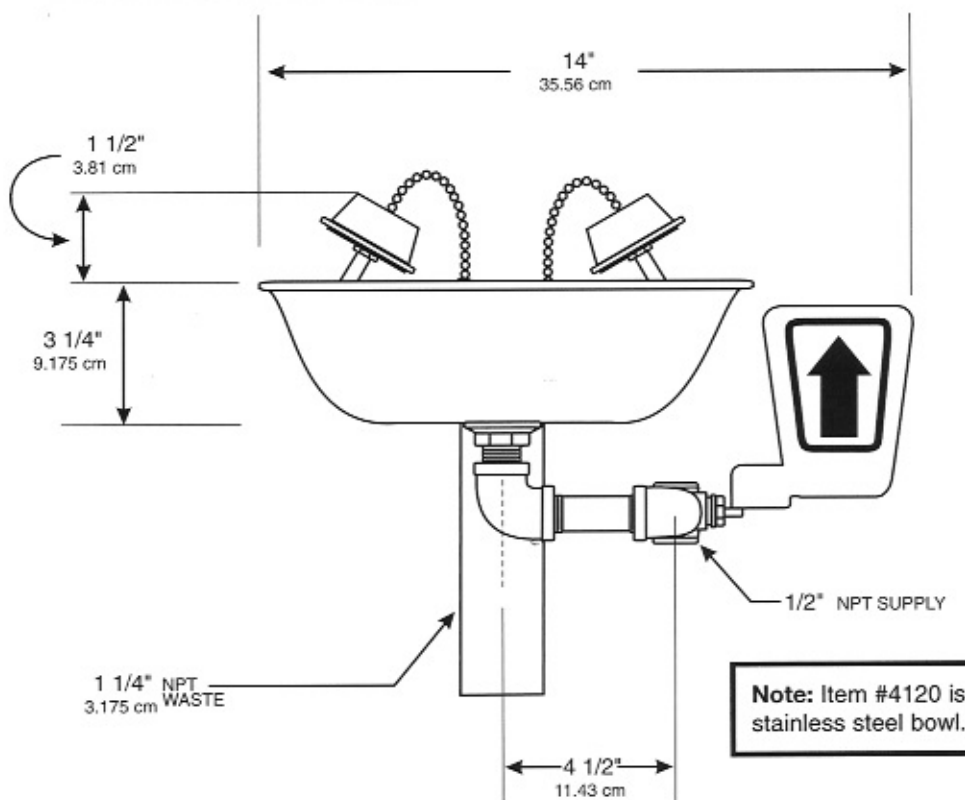
#4100

This rugged unit attaches to wall to provide emergency eye and face flush. Bowl is manufactured from high quality ABS plastic and includes zinc-coated parts. Dust covers automatically release when water pressure is applied to shower heads.

Other features include:

- Flow rate - @ 30 PSI 3.2 GPM
- Shower heads - two soft spray outlet heads with float-off dust covers
- Drain bowl - rugged ABS plastic
- Operation valve - 1/2" NPT stay-open ball valve remains open until physically shut
- Spray Control Unit has a pressure compensation system to assure even, smooth flow
- Supply - 1 1/4" O.D. tallpiece
- Compliance - ANSI Z358.1-1998
- Includes emergency sign & inspection tag

All units meet OSHA requirements and are in accordance with ANSI standards. Check all eyewash stations weekly for proper operation



Notice: All models shown meet ANSI Standard and OSHA rules and regulations relating to this type of product. Units should be tested regularly. Continued product improvements make specifications subject to change without notice.