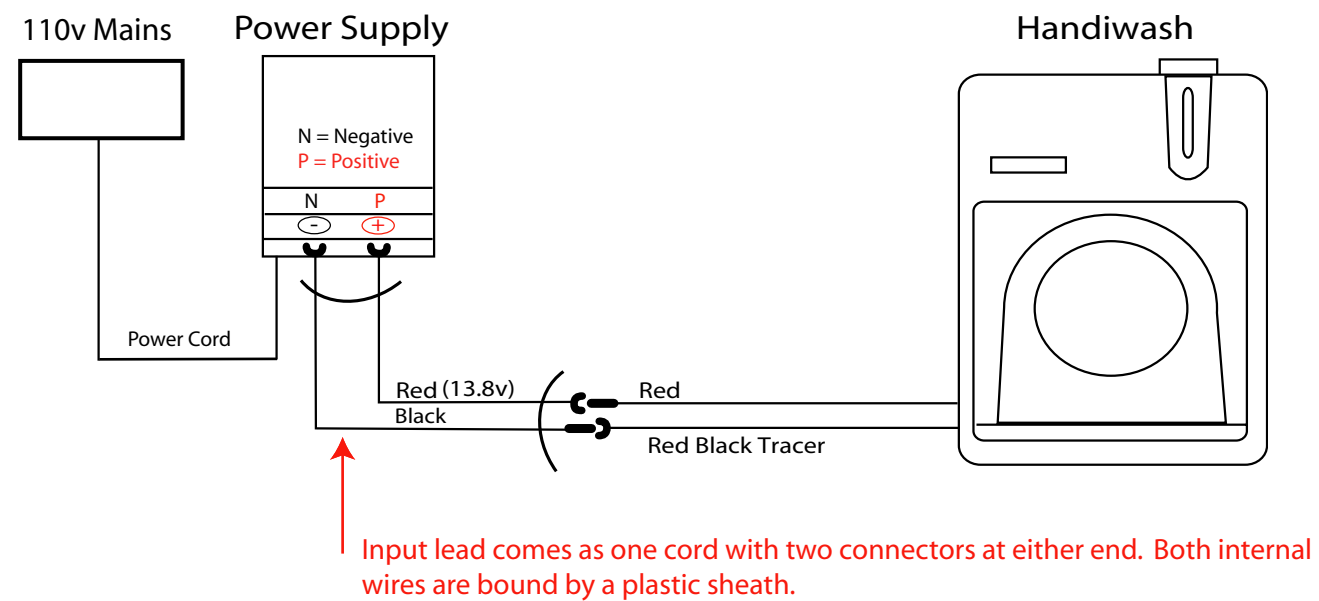


## Power Supply Wiring



1. Connect the red (13.8v) input lead to the positive terminal on power supply.
2. Connect the red positive lead from Handiwash to the red (13.8v) power supply input lead.
3. Connect the black input lead to negative terminal on power supply.
4. Connect the red/black tracer lead from Handiwash to the black power supply input lead.
5. Plug power cord into 110v mains power point and switch on.
6. Turn on power supply.