

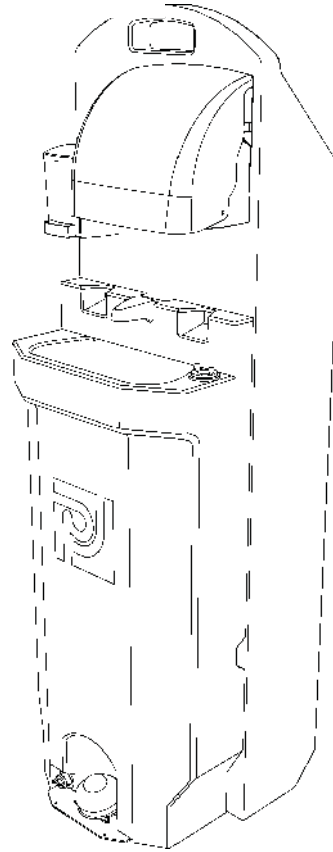
# PSW1-1000 HandStand™ Wash Stand with Wheels Technical Information

## General Overview

*The PSW1-1000 HandStand sink is easily transportable with built-in handles and lightweight rubber thread wheels. Designed for use where convenient hand washing is desired or required, such as offices, classrooms, construction sites, festivals, food service locations, etc., to be used indoors or out. The compact design allows it to be used most anywhere. Ideal where space is limited. Shipped fully assembled.*

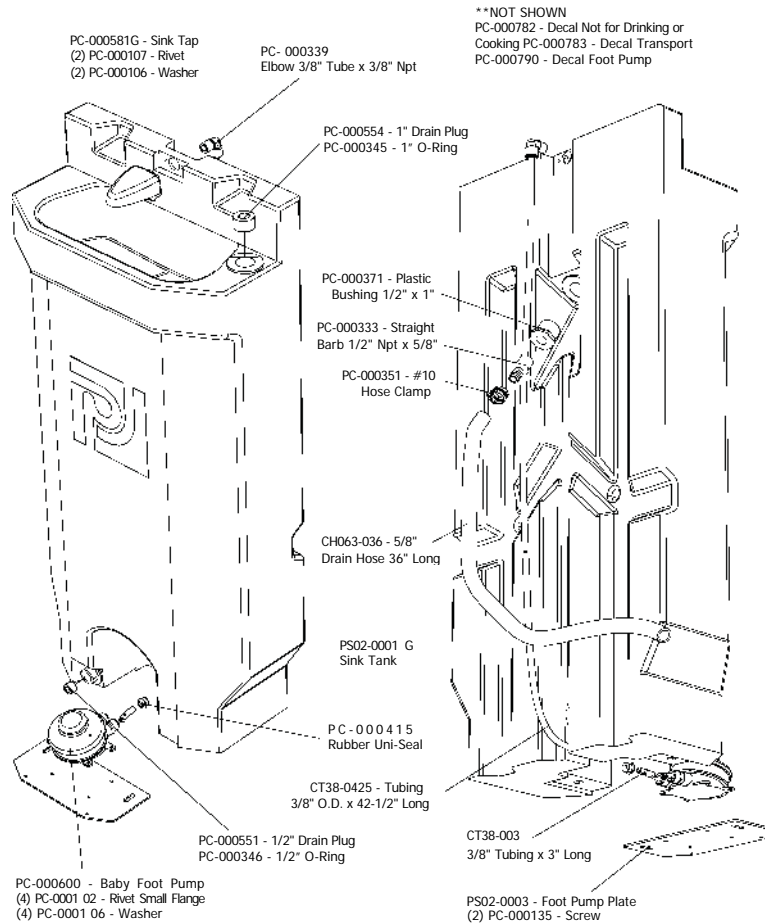
## Specifications

Height	62 in	157.5 cm
Width	18 in	45.5 cm
Depth	18 in	45.5 cm
Sink Capacity	16 gal	60.5 ltr
Holding Tank		
Capacity	19 gal	72 ltr
(per stroke)	2 fl oz	59.14 ml
Pump Capacity		
Capacity	30 fl oz	59 ml
Soap Dispenser		
Number of Single Dispenses	1024	1024
Paper Towel	1 Roll or 500 Single Fold <i>(2 packs - Georgia Pacific 23504)</i>	
Capacity		
Weight Empty	48.5 lb	22 kg
Weight Full	182 lb	82.5 kg



*All materials, including resin, pigments and additives used to make the plastic components as well as the plumbing components that come in contact with the fresh water are U.S. FDA food grade compliant.*

## Parts Drawing - Exploded View



### Important Decals

**NOT FOR COOKING OR DRINKING**, required by law in certain areas of the U.S. Other geographical areas require that the materials used to manufacture the sinks comply with the U.S. Federal Food and Drug Administration (FDA) guidelines 21 CFR 175.300 (resins), 177.1520 (olefin polymers) and 178.3297 (colorants for polymers). The materials also comply with the U.S. Public Health Service Drinking Water Standards, 42 CFR part 72 and U.S. Environmental Protection Agency Interim Primary Drinking Water Regulations 40 CFR part 141.

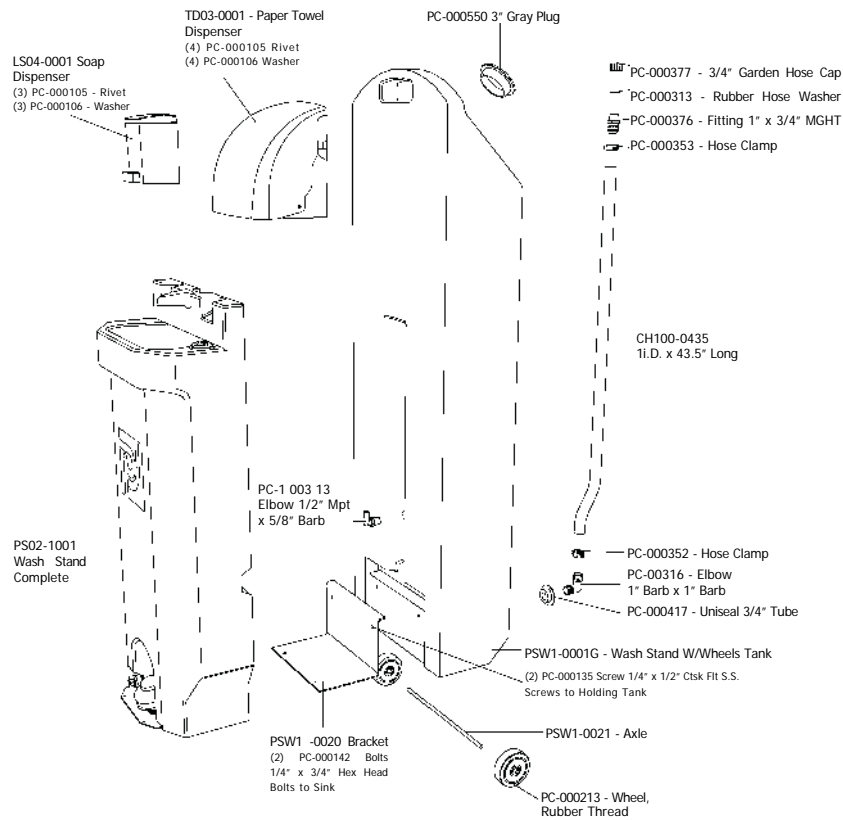
**HANDS FREE SINK**, instruction for user to use foot pump to operate the sink.

**UNIT MUST BE DRAINED BEFORE TRANSPORTING**, reminds service operator to empty the sink before transporting.

### Filling with Fresh Water

Remove the 1" plug from the top corner of the sink. Insert a standard 1" garden or similar type hose and fill with a few gallons of fresh water to perform a system check. Depress the pump a few times to "prime" it. The pump has a built in check valve that will hold a prime between uses. You may continue filling to the top which would be to the 16 gallon water level capacity. This should take approximately 5 minutes with a standard garden hose and normal water pressure.

## Parts Drawing - Exploded View



### Emptying Fresh Water

Drain fresh water by unscrewing the 1/2" plug from the bottom of the sink.

### Emptying Gray Water

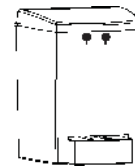
Wheel the sink to a proper drain location such as a toilet or drain. Pull the hose out from the rib on the back of the holding tank, unscrew the hose cap and empty the gray water.

### Paper Towel Dispenser

The dispenser is designed to accept single or multi fold, as well as roll towels. The recommended single fold towel is a Georgia Pacific c 23504. When using other towels, be sure the width does not exceed 9-1/2".

### Soap Dispenser

To open the soap dispenser, place your hands on both sides of the dispenser. Position your thumbs on the front approximately where the two dots are located in the illustration to the right (*the tips of your thumbs should be inline with the gray top, but not on it*). Push in on the clear plastic while using your thumbs to "pop" the gray lid off. Locate the tab on the mounting plate at the rear of the dispenser and push in on it and slide the dispenser up and off. Fill with 30 fluid ounces of liquid soap. Refasten it to the mounting plate and snap the lid back on.



### Winterizing

- Drain all water from the tanks.
- Depress the foot pump to clear lines.
- Flush tank with a solution of chlorine and water.

### CLEANING AND MAINTENANCE

Use a mild soap to clean all surfaces and component parts.

Minor scratches and abrasions can be lightly sanded or scrubbed with a mild abrasive cleaner (*such as "Soft Scrub"*) that contains calcium carbonate, hypochlorate bleach and detergents. Be sure to follow the cleaning product directions since these ingredients may cause hazardous gases when mixed with other chemicals. Rinse the cleaned area and buff with a conventional wax.

Some light scratches may also be hidden by using an industrial hot air gun.

To keep the water fresh add a "Fresh Sink Tablet" (*chlorinated tablet*) each time the sink is filled with water.

We highly recommend membership in the Portable Sanitation Association International (PSAI); the worldwide authority on portable sanitation services. The PSAI, "Portable Sanitation Industry Certification Program" manual contains a wealth of information on standards and service procedures. For more information contact the PSAI:

PORTABLE SANITATION ASSOCIATION INTERNATIONAL PSAI  
7800 METRO PARKWAY, SUITE 104  
BLOOMINGTON, MINNESOTA 55425 USA  
800.822.3020 / 612.854.8300 FAX 612.854.7560  
[www.psal.org](http://www.psal.org)